

Screw pumps - 2SP LS series

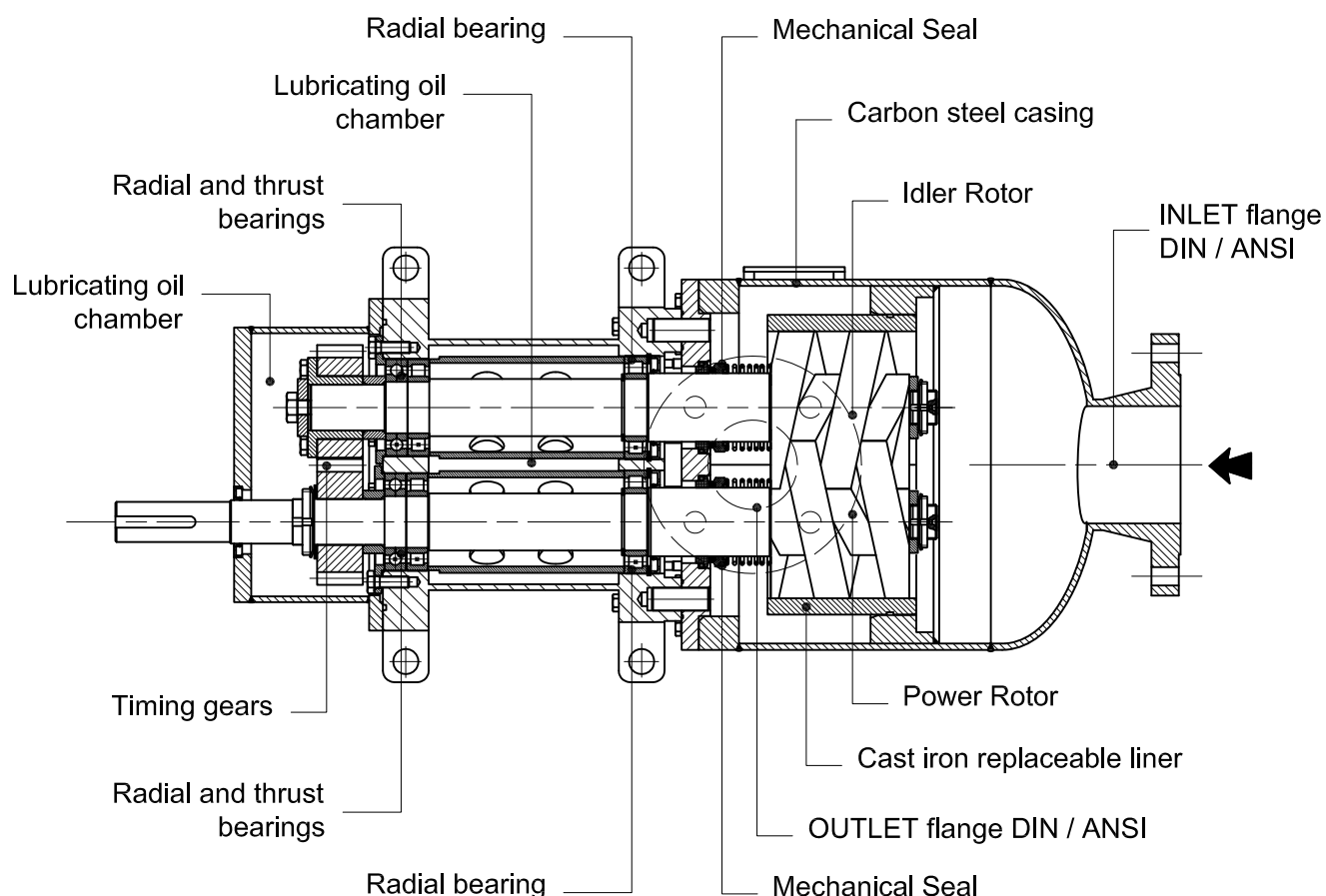
Non lubricating, corrosive and dangerous fluids.

Admissible differential pressure (continuous) = 10 bar from 1000 to 3600 rpm

Main field of application

Pumps for lubricating and non lubricating fluids with a wide range of viscosity.

Section and components



Functional characteristics standard version

Delivery flow	up to 4000 l/min (up to 1055 USGPM)
Admissible differential pressure *	up to 10 bar (145 psi) from 1000 to 3600 rpm
Admissible suction pressure	from -0,7 to 5 bar (from -10 to 72,5 psi) <small>For different values contact SEIM</small>
Kinematics viscosity	from 5 to 2500 cSt STD (1 - 5000 cSt special) <small>For different values contact SEIM</small>
Admissible temperature	from 0 to 150 °C (32 a 302 °F) <small>For different values contact SEIM</small>
	max 300 °C (570 °F) special
Driving speed	from 1000 to 3600 rpm
Average noise level	60 - 75 dB(A) at 3600 rpm according to pump dimension
Direction of rotation	Clockwise, as seen from the driving side

* Reduced pressure limits apply due to fluid viscosity and driving speed

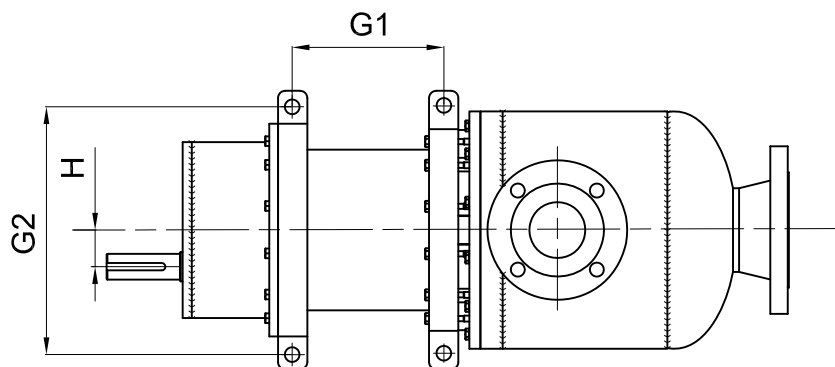
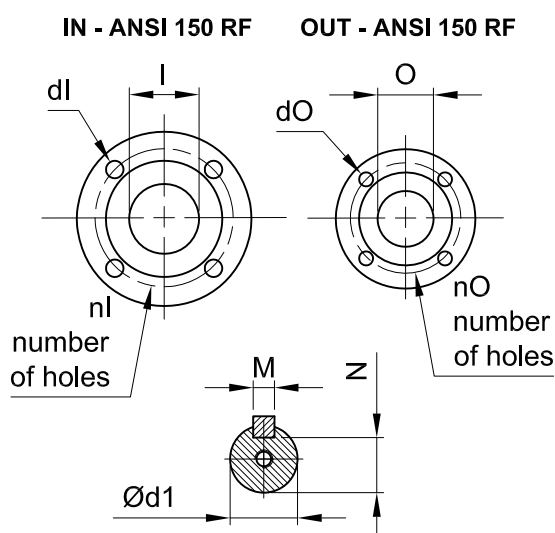
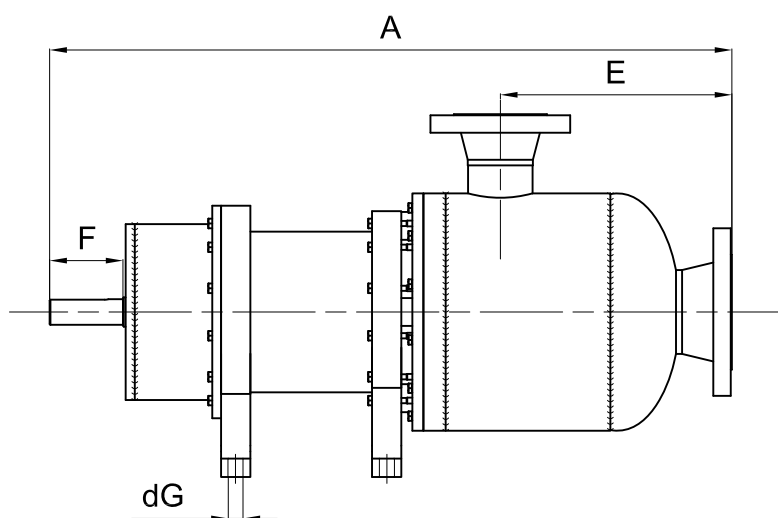
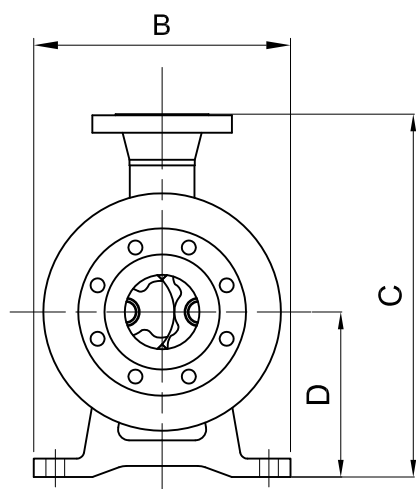
Consult the performance charts for the individual pump size

For different functional characteristics and materials, please contact our sales department

Screw pumps - 2SP LS series

Non lubricating low and medium viscosity and corrosive fluids. Suitable for water, light chemical and petrochemical products, fuel and heavy fuel oils.

Admissible differential pressure (continuous) = 10 bar from 1000 to 3600 rpm



LF - STE - 2SP LS - ENG 05-13

Preliminary dimensional chart (mm)

MODEL															IN		OUT		
	A	B	C	D	E	F	G1	G2	dG	H	M	d1	N	I	dI	nI	O	dO	nO
2SP LS 090	850	300	450	180	350	75	180	250	22	32,5	8	28	24	3"	3/4"	4	2"	3/4"	4
2SP LS 110	850	300	450	180	350	95	180	250	22	40	8	30	26	3"	3/4"	4	2"	3/4"	4
2SP LS 130	950	350	525	225	375	110	200	300	26	50	10	35	30	4"	3/4"	8	3"	3/4"	4
2SP LS 170	1075	400	575	280	410	125	230	350	26	65	12	40	35	5"	7/8"	8	4"	3/4"	8
2SP LS 210	1200	475	700	315	450	133	260	410	34	80	14	50	44,5	6"	7/8"	8	5"	7/8"	8
2SP LS 270	1350	575	850	400	500	150	300	475	34	100	18	60	53	8"	7/8"	8	6"	7/8"	8

SEIM srl
Via A. Volta 17
20090 Cusago (MI) ITALY
Tel. (+39) 02.90.39.21.1
Fax. (+39) 02.90.39.21.41
e-mail: seim@seim.it

www.seim.it

SEIM reserves the right to introduce dimensional changes or variation to the products of this technical data