

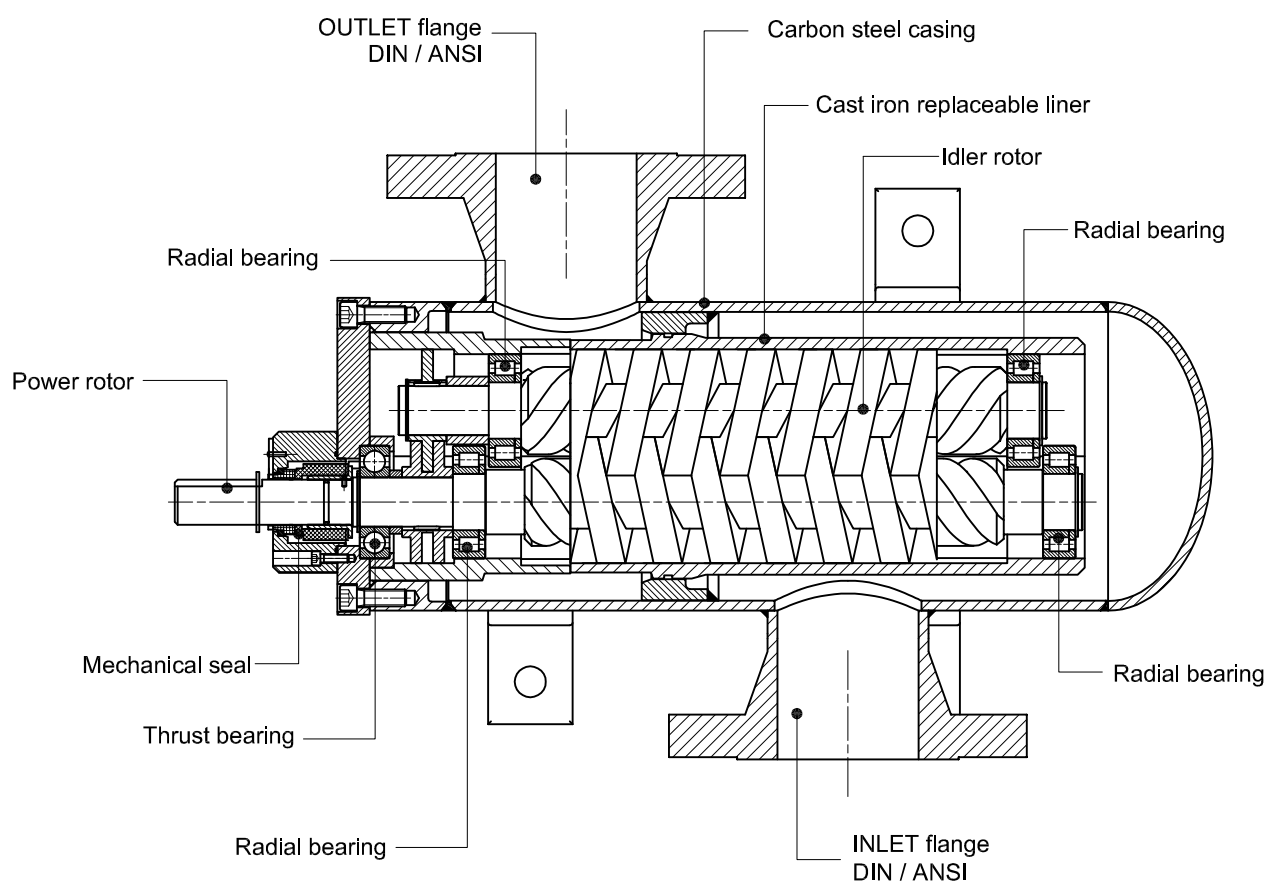
## Screw pumps - PCX WTG series

For hydraulic oils, lubricating oils also with dissolved gases.  
 Admissible differential pressure (continuous) = 16 bar from 1000 to 3600 rpm.

### Main field of application

Pumps for lubricating system and auxiliary cooling, with steel body.  
 Customized versions and API 676 II ed

### Section and components



### Functional characteristics standard version

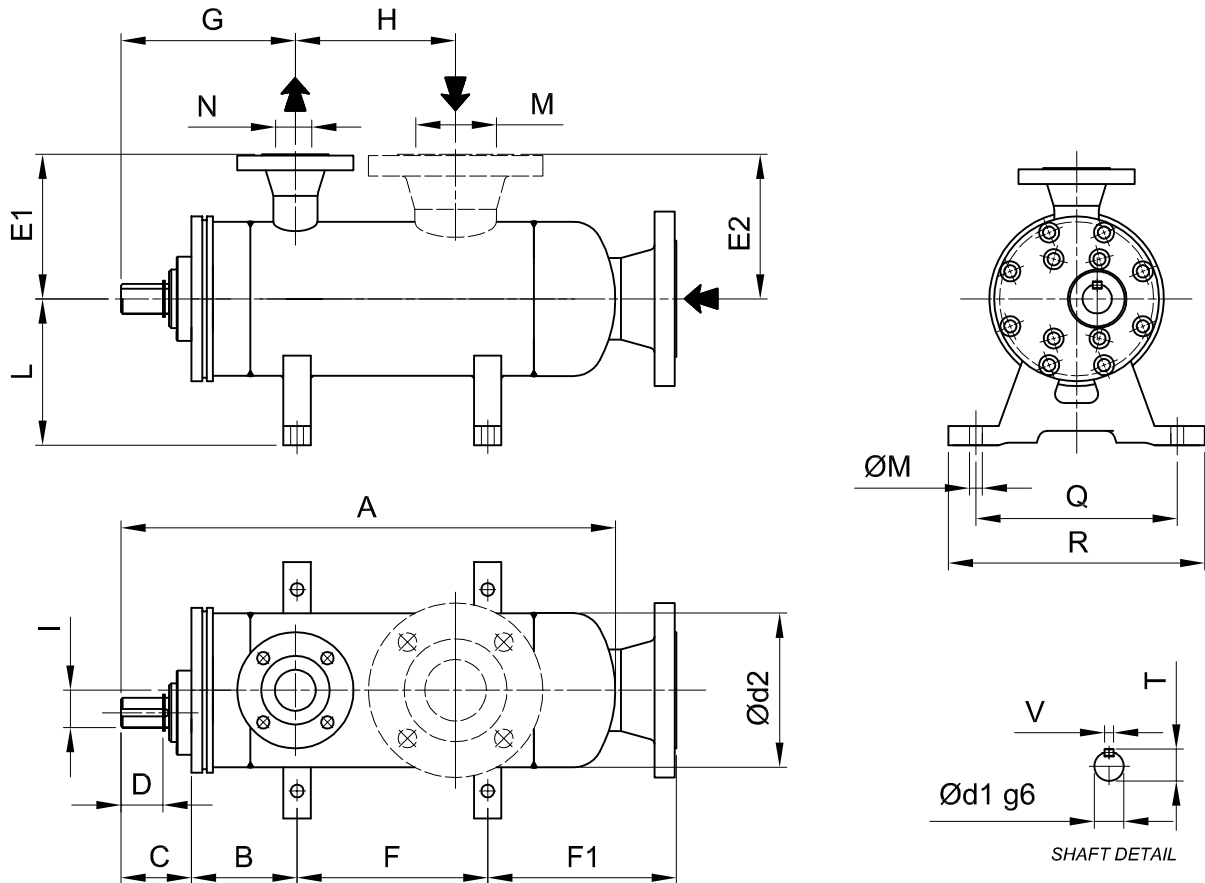
<b>Delivery flow</b>	up to 9000 l/min (up to 2375 USGPM)
<b>Admissible differential pressure*</b>	up to 16 bar (232 psi) from 1000 to 3600 rpm
<b>Admissible suction pressure</b>	from -0,7 to 10 bar (from -10 to 145 psi) For different values contact SEIM
<b>Kinematics viscosity</b>	from 5 to 2500 cSt STD (1 - 5000 cSt special) For different values contact SEIM
<b>Admissible temperature</b>	from 0 to 150 °C (32 a 302 °F) For different values contact SEIM
	max 300 °C (570 °F) special
<b>Driving speed</b>	from 1000 to 3600 rpm
<b>Average noise level</b>	60 - 75 dB(A) at 3600 rpm according to pump dimension
<b>Reccomended oil filtration</b>	60 micron max (not abrasive contaminant) ISO 4406 19/16 - NAS 10
<b>Direction of rotation</b>	Clockwise, as seen from the driving side

\* Reduced pressure limits apply due to fluid viscosity and driving speed  
 Consult the performance charts for the individual pump size  
 For different functional characteristics and materials, please contact our sales department

# Screw pumps - PCX WTG series

For hydraulic oils, lubricating oils with dissolved gases.

Admissible differential pressure (continuous) = 16 bar from 1000 to 3600 rpm.



LF - STE - PCX WTG - ENG 01-15

## Preliminary dimensional chart (mm)

MODELLO	A	B	C	D	E1	E2	F	F1	G	H	I	L	ØM	N	P	T	V	Ød1	Ød2	Q	R
															ANSI 150 RF						
PCX WTG 062	620	138	83	46	173	173	250	219	201	310	23,2	180	18	4"	3"	35	10	32	219	220	280
PCX WTG 072	638	138	101	58	173	173	250	218	221	310	27	180	18	4"	3"	35	10	32	219	220	280
PCX WTG 085	838	190	127	80	215	235	350	253	247	460	32	280	22	6"	4"	43	12	40	219	320	380
PCX WTG 100	838	190	127	80	215	235	350	253	247	460	37,5	280	22	6"	4"	43	12	40	219	320	380
PCX WTG 110	914	190	144	80	203	268	350	316	284	460	41	280	22	6"	4"	43	12	40	273	320	380
PCX WTG 130	953	195	144	80	241	300	400	287	314	460	50	280	22	8"	6"	43	12	40	324	320	380
PCX WTG 170	1150	250	186	94	327	327	490	422	416	460	65	280	22	10"	10"	51	14	50	406	320	380
PCX WTG 210	1300	250	195	105	360	360	550	661	445	500	80	320	26	12"	12"	53	18	60	457	360	420

SEIM srl  
 Via A. Volta 17  
 20090 Cusago (MI) ITALY  
 Tel. (+39) 02.90.39.21.1  
 Fax. (+39) 02.90.39.21.41  
 e-mail: seim@seim.it

[www.seim.it](http://www.seim.it)

SEIM reserves the right to introduce dimensional changes or variation to the products of this technical data