

Screw pumps - PB series

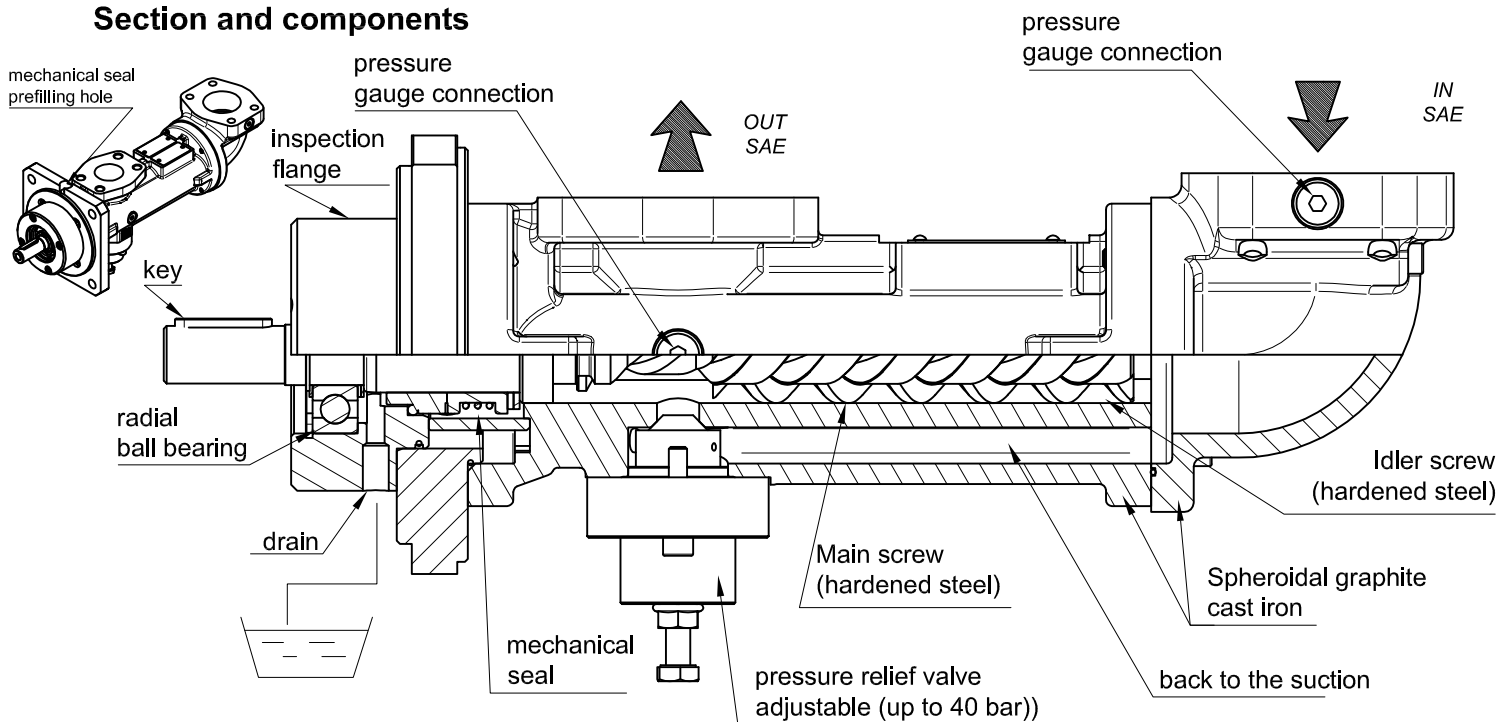
For hydraulic oils, lubricating oils, HFO, FO, DO, GO, ULSD, LSMGO.
Admissible delivery pressure (continuous) up to 40 bar (580 psi)



Main field of application

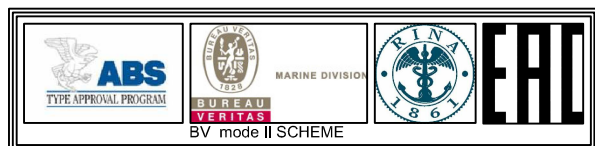
Pumps for lubrication systems and auxiliary cooling, with relief valve.
Fuel supply line (feeder and circulation), transfer and cargo.
Version with magnetic coupling.

Section and components



Approved

Available on demand



CERTIFICATION



Functional characteristics standard version

Delivery flow	up to 200 l/min (up to 52 USGPM)	
Admissible delivery pressure *	up to 40 bar (580 psi) from 1000 to 3600 rpm	
Valve setting	up to 40 bar (580 psi)	
Admissible suction pressure	from -0,7 to 10 bar (from -10 to 145 psi)	For different values contact SEIM
Kinematics viscosity	from 1,2 to 400 cSt STD (< 5000 cSt special)	For different values contact SEIM
Admissible temperature	from 0 to 150 °C (32 a 302 °F)	For different values contact SEIM
Driving speed	from 1000 to 3600 rpm	
Average noise level	60 - 75 dB(A) at 3600 rpm according to pump dimension	
Suction strainer	See Appendix - table 1	
Raccomended fluid cleanliness level in the system	See Appendix - table 2 - ISO 16889 $B_{X>1000}$	
Direction of rotation	Clockwise, as seen from the driving side	

* Reduced pressure limits apply due to fluid viscosity and driving speed
Consult the performance charts for the individual pump size
For different functional characteristics, please contact our sales department

Screw pumps - PB series

For hydraulic oils, lubricating oils, HFO, FO, DO, GO, ULSD, LSMGO.
Admissible delivery pressure (continuous) up to 40 bar (580 psi)

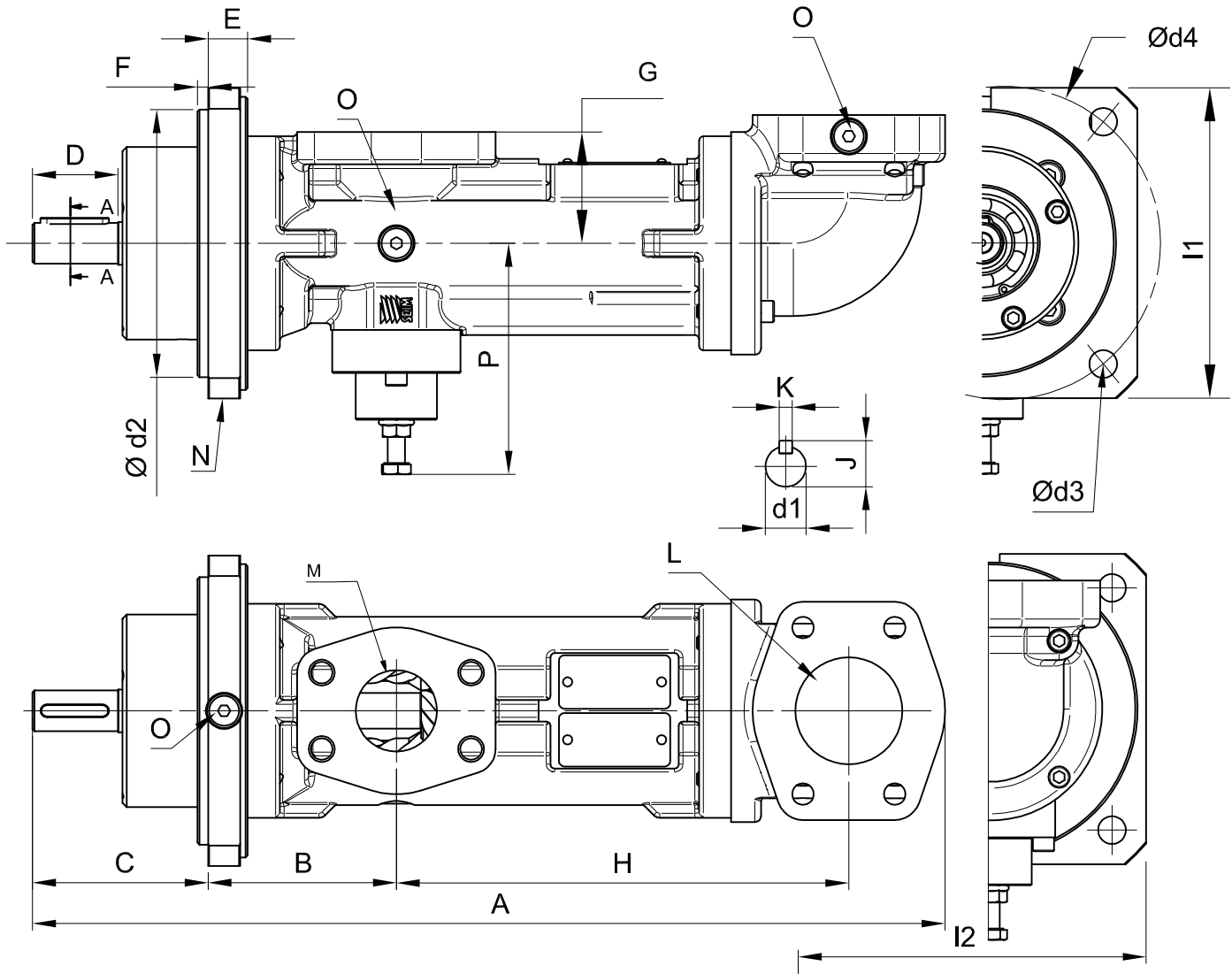


Tabella dimensionale (mm)

MODELLO	A	B	C	D	E	F	G	H	I1	I2	J	K	IN		OUT		P	d1 Ø	d2 Ø	d3 Ø	d4 Ø
													SAE 3000	SAE 3000	N GAS	O GAS					
PB020	318	65	67	29	16	5	45	151	115	111	16	5	1"	1"	1/8"	1/8"	93	14	100	11	125
PB025	318	65	67	29	16	5	45	151	115	111	16	5	1"	1"	1/8"	1/8"	93	14	100	11	125
PB032	427	88	82	40	18.5	5	52	211.5	145	145	21.5	6	2"	1 1/2"	1/8"	1/8"	108	19	125	13	160
PB040	453	85	82	40	18.5	5	52	240.5	145	145	21.5	6	2"	1 1/2"	1/8"	1/8"	128	19	125	13	160

SEIM srl
Via A. Volta 17
20090 Cusago (MI) ITALY
Tel. (+39) 02.90.39.21.1
Fax. (+39) 02.90.39.21.41
e-mail: seim@seim.it

www.seim.it

SEIM reserves the right to introduce dimensional changes or variation to the products of this technical data

Screw pumps - PB series

For hydraulic oils, lubricating oils, HFO, FO, DO, GO, ULSD, LSMGO.
Admissible delivery pressure (continuous) up to 40 bar (580 psi)



Appendix

VISCOSITY	MESH STRAINER
< 5 cSt	60 mesh
< 10 cSt	40 mesh
< 20 cSt	20 mesh
< 200 cSt	Perforation 1/8"
< 500 cSt	Perforation 3/16"
> 500 cSt	Perforation 1/4"

Table 1

	bar	1450 rpm				2900 rpm				3600 rpm			
		10	16	25	40	10	16	25	40	10	16	25	40
PB20	Bx>1000	15 um								25 um			
PB 25	Bx>1000	15 um											
PB 32	Bx>1000	15 um											
PB 40	Bx>1000	25 um											

Fluid > 5 cSt

	bar	1450 rpm				2900 rpm				3600 rpm			
		10	16	25	40	10	16	25	40	10	16	25	40
PB 20	Bx>1000	Contact Seim								10 um			
PB 25	Bx>1000	Contact Seim											
PB 32	Bx>1000	Contact Seim											
PB 40	Bx>1000	Contact Seim											

Fluid < 5 cSt

Table 2

SEIM srl
Via A. Volta 17
20090 Cusago (MI) ITALY
Tel. (+39) 02.90.39.21.1
Fax. (+39) 02.90.39.21.41
e-mail: seim@seim.it

www.seim.it

SEIM reserves the right to introduce dimensional changes or variation to the products of this technical data