

## Screw pumps PWO

For cooling lubricants with low viscosity and minimum lubricating properties (minimum oil: 4%) - lube oils, mineral and synthetic types vegetables oils, biodiesel

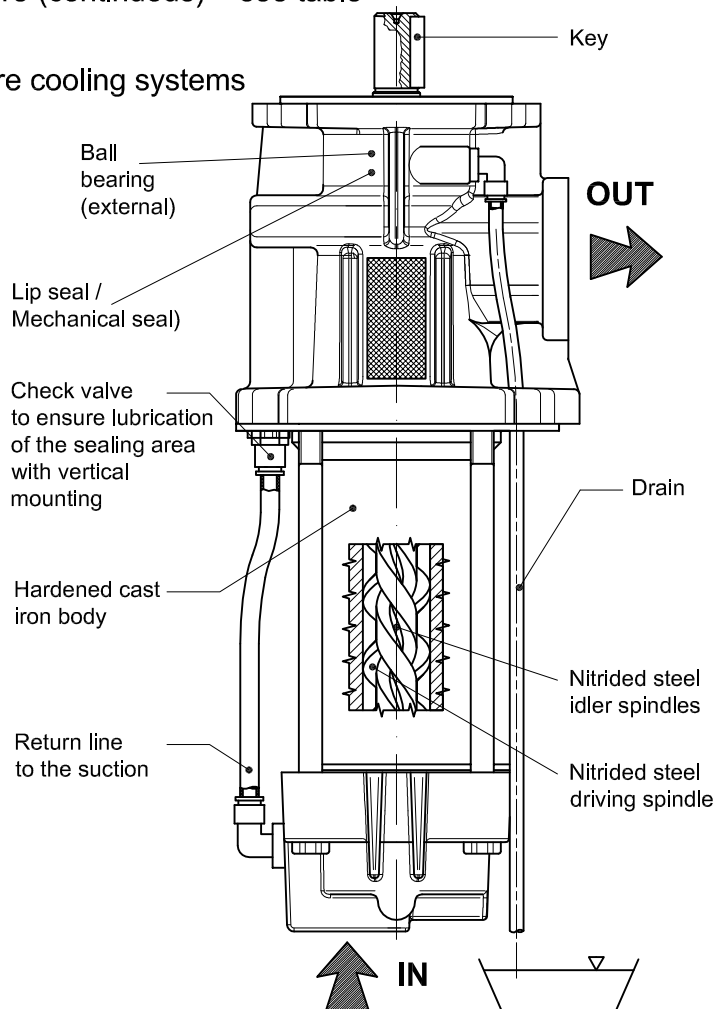


Admissible delivery pressure (continuous) = see table

### Main field of application

Machine tools high pressure cooling systems

### Section and components



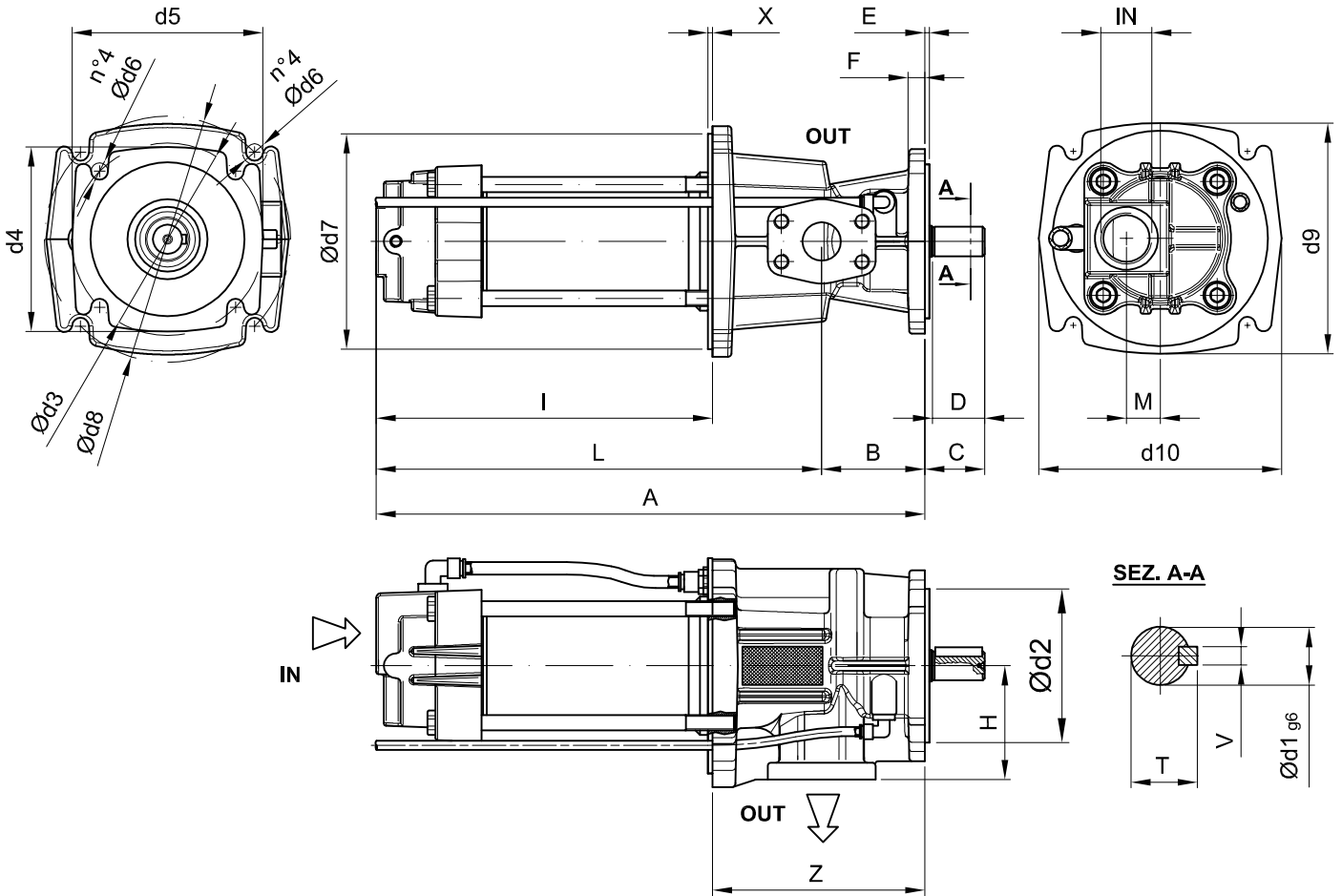
### Functional characteristics standard version

|                                                          |                                                                                                                                                                          |
|----------------------------------------------------------|--------------------------------------------------------------------------------------------------------------------------------------------------------------------------|
| <b>Delivery flow</b>                                     | 14 to 600 l/min (3,7 to 159 USGPM)                                                                                                                                       |
| <b>Admissible delivery pressure *</b>                    | up to 150 bar (1450 psi) - Table 1                                                                                                                                       |
| <b>Admissible suction pressure</b>                       | -0,5 to 10 bar (-7,3 to 145 psi) (with mechanical seal)<br>0 to 2 bar (0 to 29 psi) (with lip seal) <span style="float: right;">For different values contact SEIM</span> |
| <b>Kinematic viscosity</b>                               | emulsion (min:4% oil) and cutting oils: 1 to 20 cSt<br>contact SEIM for different viscosity or type of fluids                                                            |
| <b>Admissible temperature</b>                            | 0 to 100 °C (32 to 212 °F) <span style="float: right;">For different values contact SEIM</span>                                                                          |
| <b>Driving speed</b>                                     | 2900 to 3500 rpm (contact SEIM for use with VFD)                                                                                                                         |
| <b>Average noise level</b>                               | 60 - 75 dB(A) at 2900 rpm according to pump dimension                                                                                                                    |
| <b>Raccomended fluid cleanliness level in the system</b> | see Appendix - Table 2                                                                                                                                                   |
| <b>Direction of rotation</b>                             | clockwise, as seen from the driving side                                                                                                                                 |

\* Reduced pressure limits apply due to fluid viscosity and driving speed.  
Consult the performance charts for the individual pump size.  
*For different functional characteristics, please contact our sales department.*

# Screw pumps PWO

For cooling lubricants with low viscosity and minimum lubricating properties (minimum oil: 4%) - lube oils, mineral and synthetic types vegetables oils, biodiesel



## Dimensional chart (mm) - bar

| MODEL  | Max bar | A     | B     | C  | D  | E | F  | H   | I     | L     | M  | IN         | OUT                | T    | V  | d1 | d2  | d3  | d4  | d5  | d6 | d7  | X   | d8  | d9  | d10 | Z     |
|--------|---------|-------|-------|----|----|---|----|-----|-------|-------|----|------------|--------------------|------|----|----|-----|-----|-----|-----|----|-----|-----|-----|-----|-----|-------|
| PWO025 | 150     | 357   | 67    | 39 | 34 | 3 | 10 | 74  | 219   | 290   | 22 | 1" GAS     | 1" SAE<br>3/4" GAS | 21,5 | 6  | 19 | 100 | 125 | 120 | 124 | 12 | 140 | 4,8 | 160 | 150 | 158 | 138   |
| PWO029 | 150     | 357   | 67    | 39 | 34 | 3 | 10 | 74  | 219   | 290   | 22 | 1" GAS     | 1" SAE<br>3/4" GAS | 21,5 | 6  | 19 | 100 | 125 | 120 | 124 | 12 | 140 | 4,8 | 160 | 150 | 158 | 138   |
| PWO032 | 150     | 401   | 67    | 39 | 34 | 3 | 10 | 74  | 263   | 337   | 22 | 1" GAS     | 1" SAE<br>3/4" GAS | 21,5 | 6  | 19 | 100 | 125 | 120 | 124 | 12 | 140 | 4,8 | 160 | 150 | 158 | 138   |
| PWO040 | 100     | 483.5 | 102   | 49 | 40 | 7 | 15 | 81  | 310.5 | 381.5 | 42 | 1 1/2" GAS | 1 1/2" SAE         | 27   | 6  | 22 | 125 | 160 | 154 | 158 | 14 | 180 | 6   | 215 | 203 | 211 | 173   |
| PWO045 | 100     | 534   | 102   | 49 | 40 | 7 | 15 | 81  | 362   | 433   | 42 | 1 1/2" GAS | 1 1/2" SAE         | 27   | 8  | 24 | 125 | 160 | 154 | 158 | 14 | 180 | 6   | 215 | 203 | 211 | 173   |
| PWO055 | 100     | 613   | 161.5 | 64 | 55 | 8 | 15 | 100 | 380   | 451   | 72 | 3" GAS     | 2" SAE             | 35   | 10 | 32 | 125 | 160 | 173 | 175 | 14 | 235 | 6   | 265 | 249 | 257 | 232.5 |
| PWO060 | 100     | 667   | 161.5 | 64 | 55 | 8 | 15 | 100 | 434   | 505   | 72 | 3" GAS     | 2" SAE             | 35   | 10 | 32 | 125 | 160 | 173 | 175 | 14 | 235 | 6   | 265 | 249 | 257 | 232.5 |

SEIM srl  
Via A. Volta 17  
20090 Cusago (MI) ITALY  
Tel. (+39) 02.90.39.21.1  
Fax. (+39) 02.90.39.21.41  
e-mail: seim@seim.it

[www.seim.it](http://www.seim.it)

SEIM reserves the right to introduce dimensional changes or variation to the products of this technical data

# Screw pumps PWO

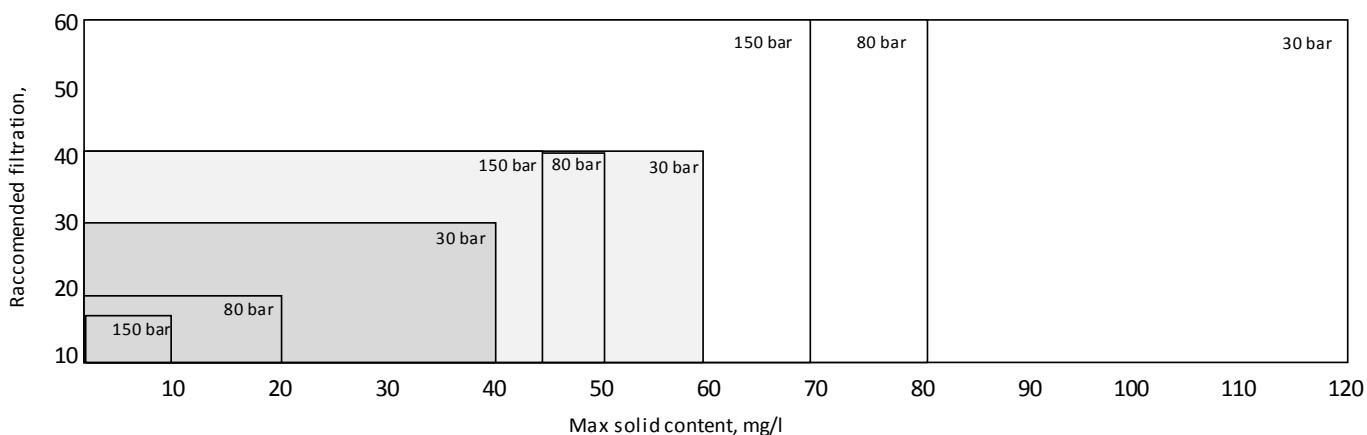
For cooling lubricants with low viscosity and minimum lubricating properties (minimum oil: 4%) - lube oils, mineral and synthetic types vegetables oils, biodiesel



## Appendix

|        | 1450 - 1750 rpm |        | 2900 - 3500 rpm |        |
|--------|-----------------|--------|-----------------|--------|
|        | 1 cSt           | 20 cSt | 1 cSt           | 20 cSt |
| PWO025 | Contattare SEIM |        | 150 bar         |        |
| PWO029 | Contattare SEIM |        | 150 bar         |        |
| PWO032 | Contattare SEIM |        | 150 bar         |        |
| PWO040 | Contattare SEIM |        | 100 bar         |        |
| PWO045 | Contattare SEIM |        | 100 bar         |        |
| PWO055 | Contattare SEIM |        | 100 bar         |        |
| PWO060 | Contattare SEIM |        | 100 bar         |        |

Table 1



- Very -Hard Material 10000-1000 HV1
- Hard Material 1000 - 500 HV1
- Soft material < 500 HV1

Table 2

SEIM srl  
 Via A. Volta 17  
 20090 Cusago (MI) ITALY  
 Tel. (+39) 02.90.39.21.1  
 Fax. (+39) 02.90.39.21.41  
 e-mail: [seim@seim.it](mailto:seim@seim.it)

[www.seim.it](http://www.seim.it)

SEIM reserves the right to introduce dimensional changes or variation to the products of this technical data