

# Screw pumps PAVE - submerged motor



For hydraulic oil, lubricating oils  
 Admissible delivery pressure = 75 bar at 2900 rpm

**Main field of application:**  
 Oil submerged pump for hydraulic power packs

## Section and components

### CONNECTION TO ELECTRIC MOTOR

SAE "A" – 2 holes  
 tightening torque 11 Nm 100 LB-IN

### MAIN SCREW

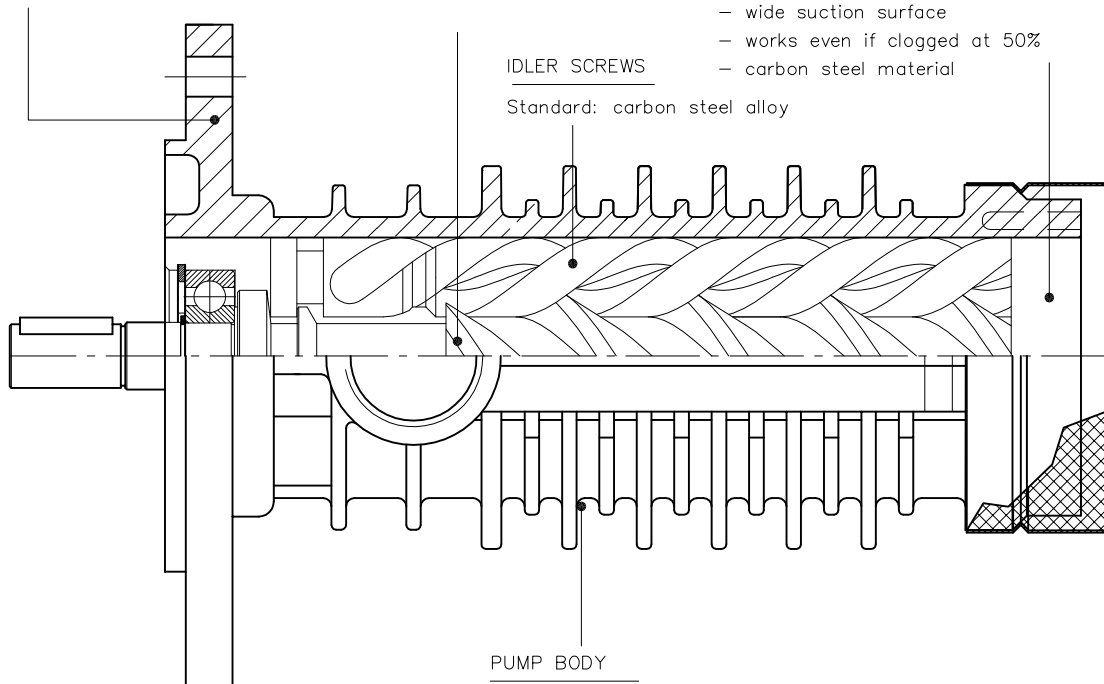
Standard: carbon steel alloy

### SUCTION FILTER

- 40 MESH
- wide suction surface
- works even if clogged at 50%
- carbon steel material

### IDLER SCREWS

Standard: carbon steel alloy



### PUMP BODY

Material aluminium – silicon alloy  
 Integrated flange with the body

## Functional characteristics standard version

<b>Delivery flow</b>	3 to 75 l/min (da 0,8 to 20 USGPM)	
<b>Admissible delivery pressure*</b>	up to 75 bar (1087 psi) continuous, 120 bar (1740 psi) peak at 2900 rpm	
<b>Admissible suction pressure</b>	submerged in oil	
<b>Kinematics viscosity</b>	10 to 400 cSt (60 to 2000 SSU)	For different values contact SEIM
<b>Admissible temperature</b>	0 to 120°C (32 to 248°F)	For different values contact SEIM
<b>Driving speed</b>	750 to 3600 rpm	
<b>Recommended filtration</b>	60 micron max, suction side (not abrasive contaminant) ISO4406 18/15-NAS 9	
<b>Average noise level</b>	56 dB(A) at 2900 rpm	
<b>Direction of rotation</b>	clockwise, as seen from the driving side	

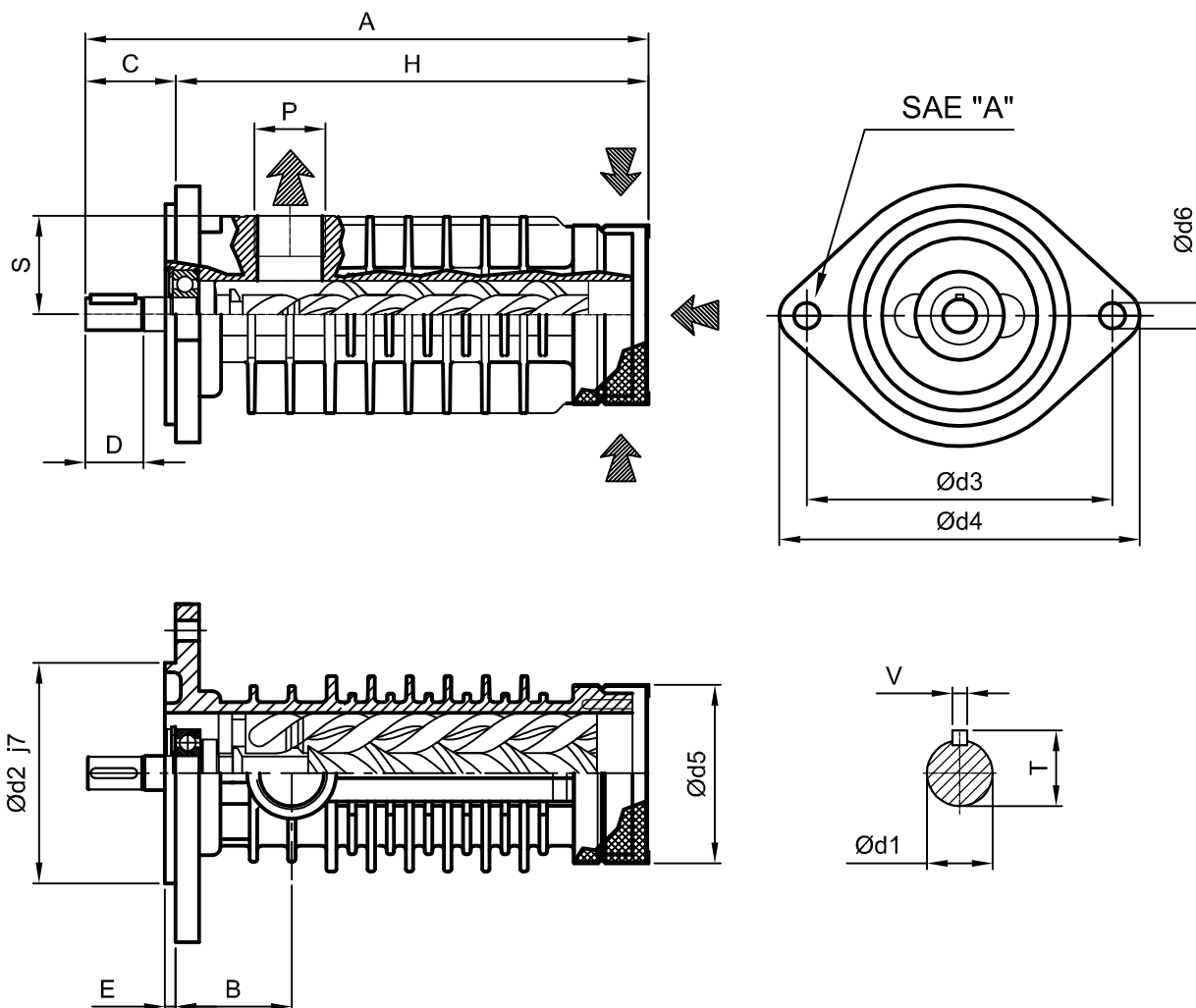
\* Reduced pressure limits apply due to fluid viscosity and driving speed

Consult the performance charts for the individual pumps size

For different functional characteristics, please contact our sales department

# Screw pumps PAVE - submerged motor

For hydraulic oil, lubricating oils  
Admissible delivery pressure = 75 bar at 2900 rpm



TD - STE - PAVE - ENG 02-10 - 2

## Dimensional chart (mm)

MODEL	A	B	C	D	E	H	P GAS	S	T	V	d1 Ø	d2 Ø	d3 Ø	d4	d5 Ø	d6 Ø
PAVE020	244	58	40	34	4	204	1/2"	37	16	5	14	82,5	106	125	65	12
PAVE025	244	58				204										
PAVE025C	252	51				212	1"	44								
PAVE029	252	51				212										
PAVE032	261	51				221		46,5								

SEIM srl  
Via A. Volta 17  
20090 Cusago (MI) ITALY  
Tel. (+39) 02.90.39.21.1  
Fax. (+39) 02.90.39.21.41  
e-mail: seim@seim.it

[www.seim.it](http://www.seim.it)

SEIM reserves the right to introduce dimensional changes or variation to the products of this technical data