

# PUMPING STATION DOUBLE / SINGLE



Application: Heavy fuel, hydraulic or lubricating oils.  
 Admissible delivery pressure (continuous) = 16 bar from 1000 to 3600 giri/min.

## Main field of application

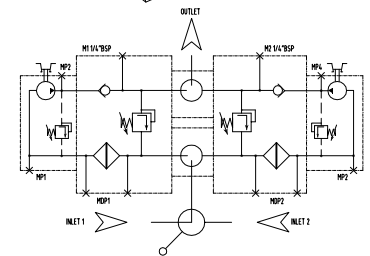
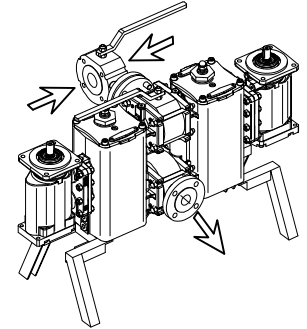
Power diesel engines or burners.  
 Lubrication systems and cooling.  
 With internal relief valve.

Standard version:

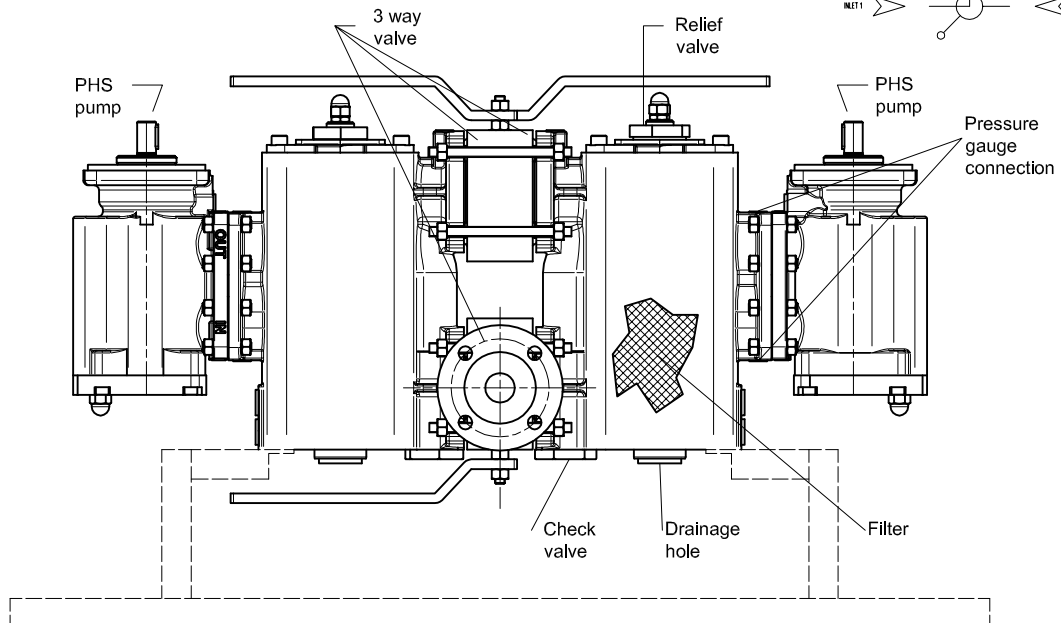
- pressure control valve
- shut-off valves in inlet and outlet
- selector valve in inlet
- spheroidal graphite iron GGG40

Special version:

- with magnetic coupling
- pumping station single



## Section and components



## Functional characteristics standard version

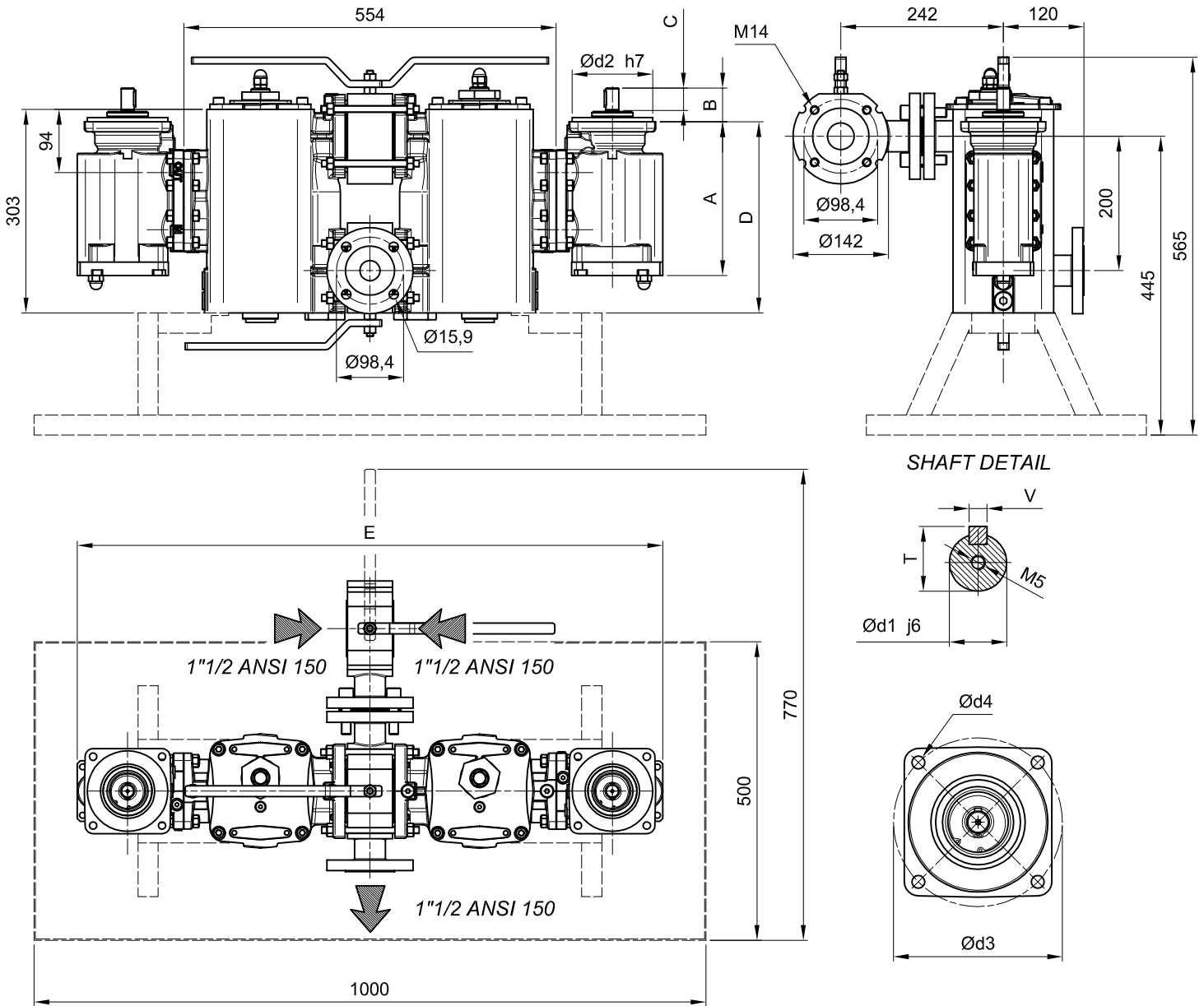
<b>Delivery flow</b>	up to 180 l/min (up to 48 USGPM)	
<b>Admissible delivery pressure *</b>	up to 16 bar (232 psi) from 1000 to 3600 giri/min	
<b>Admissible suction pressure</b>	from -0,7 to 10 bar (from -10 to 145 psi)	For different values contact SEIM
<b>Kinematics viscosity</b>	standard 1,2 - 5000 cSt	For different values contact SEIM
<b>Admissible temperature</b>	from 0 to 120 °C (32 a 248 °F)	For different values contact SEIM
<b>Driving speed (pump)</b>	from 1000 to 3600 giri/min	
<b>Average noise level</b>	60 - 75 dB(A) at 3600 giri/min according to pump dimension	
<b>Filter</b>	500 µm, filtering surface 500 cm <sup>2</sup>	
<b>Direction of rotation</b>	clockwise, as seen from driving side	

\* Reduced pressure limits apply due to fluid viscosity and driving speed.  
 Consult the performance charts for the individual pump size.  
 For different functional characteristics, please contact our sales department.

# PUMPING STATION DOUBLE

Application: Heavy fuel, hydraulic or lubricating oils.

Admissible delivery pressure (continuous) = 16 bar from 1000 to 3600 giri/min.



## Dimensional chart (mm)

MODEL	A	B	C	D	E	T	V	d1 Ø	d2 Ø	d3 Ø	d4 Ø
PDP025	204	50	29	269	838	16	5	14	110	130	9
PDP032	218	50	29	277	838	16	5	14	110	130	9
PDP040	227	50	34	284	872	21,5	6	19	120	145	11

SEIM srl  
Via A. Volta 17  
20090 Cusago (MI) ITALY  
Tel. (+39) 02.90.39.21.1  
Fax. (+39) 02.90.39.21.41  
e-mail: seim@seim.it

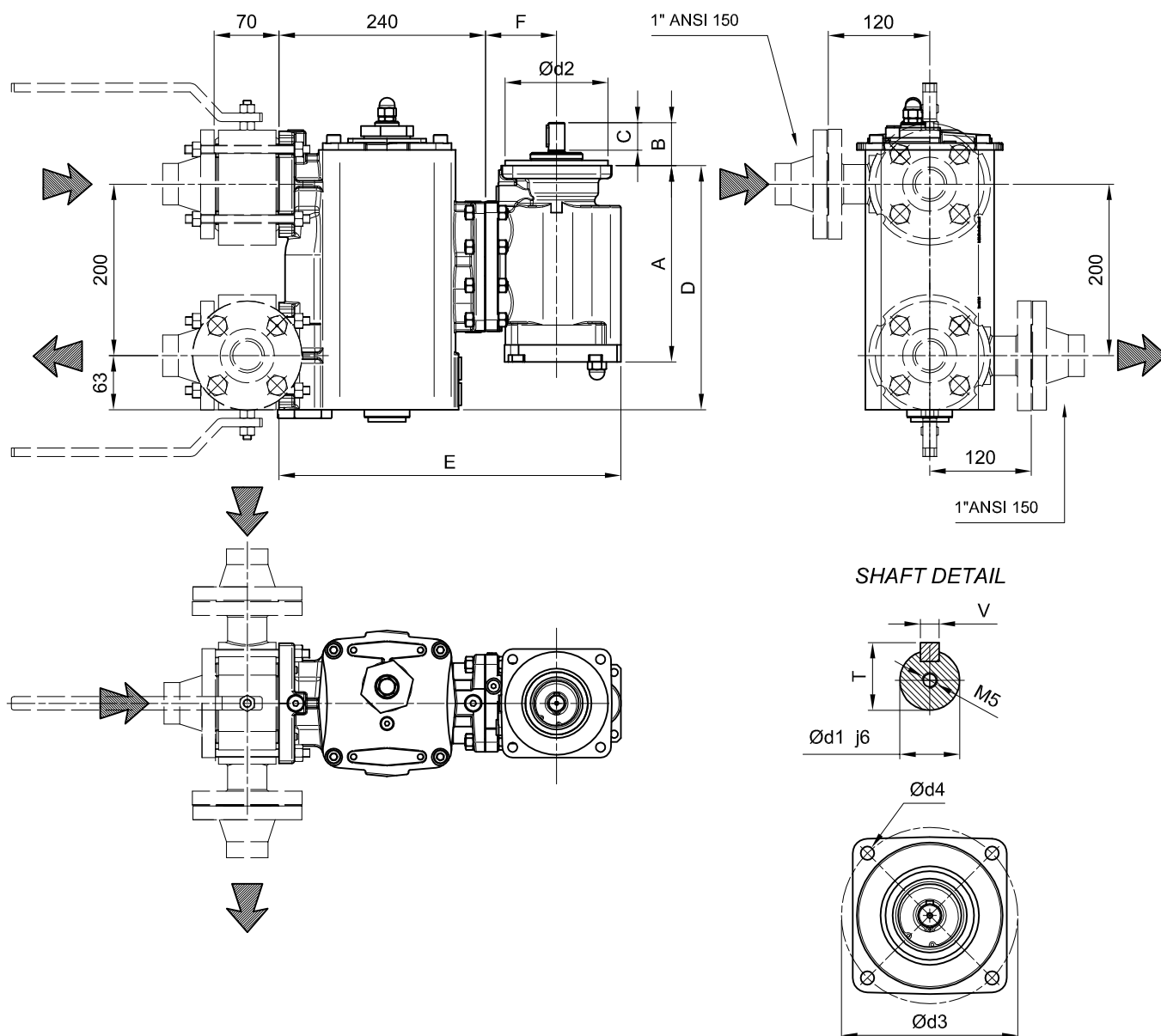
[www.seim.it](http://www.seim.it)

SD - STE - PDP - ENG - 05-10 - 0

# PUMPING STATION SINGLE

Applicazioni: nafta, gasolio, olii idraulici o lubrificanti.

Pressione ammissibile (continua) =16 bar da 1000 fino a 3600 giri/min.



## Dimensional chart (mm)

MODEL	A	B	C	D	E	F	T	V	d1 Ø	d2 Ø	d3 Ø	d4 Ø
SD025	204	50	29	269	381	73	16	5	14	110	130	9
SD032	218	50	29	277	381	73	16	5	14	110	130	9
SD040	227	50	34	284	398	83	21,5	6	19	120	145	11

SEIM srl  
Via A. Volta 17  
20090 Cusago (MI) ITALY  
Tel. (+39) 02.90.39.21.1  
Fax. (+39) 02.90.39.21.41  
e-mail: seim@seim.it

[www.seim.it](http://www.seim.it)

SEIM si riserva di apportare modifiche dimensionali o varianti agli articoli della presente scheda tecnica