

# Screw pumps - PA standard USA series

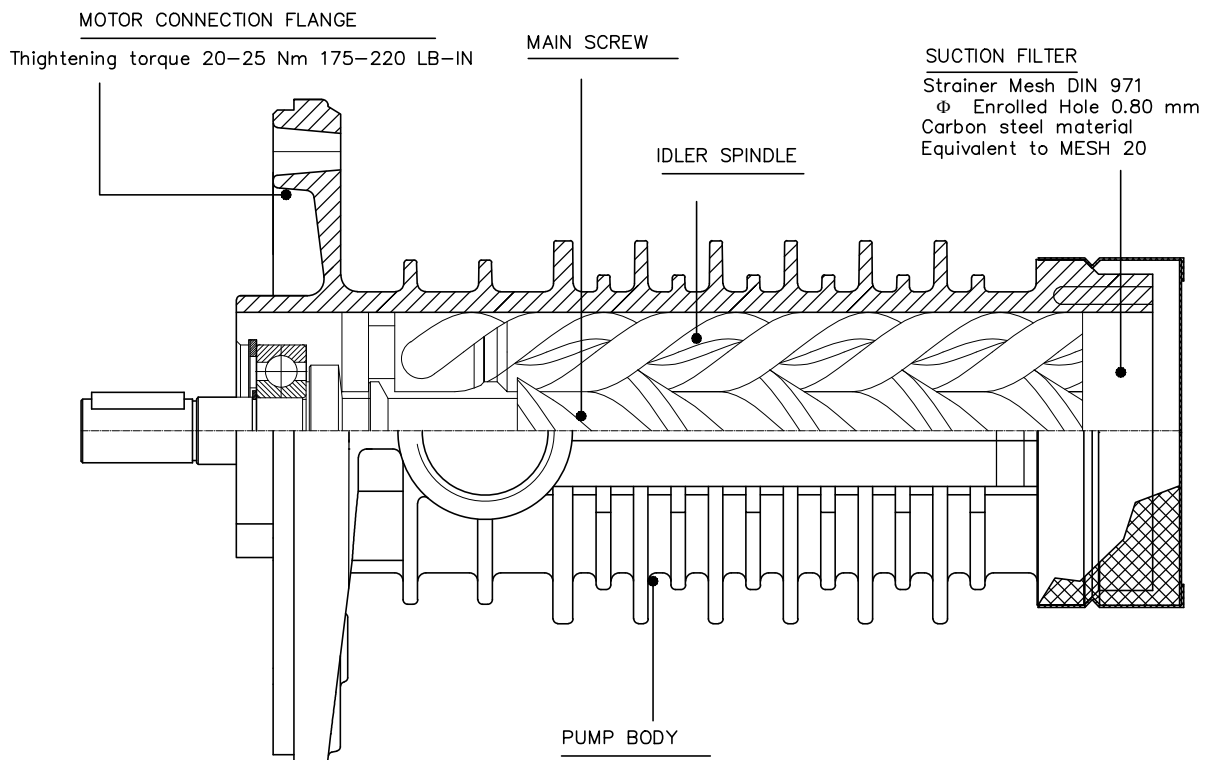


For hydraulic oils, lubricating oils.

Admissible delivery pressure = 1160 psi at 2900 rpm.

## Main field of application:

Oil submerged pump for hydraulic lift power packs



MM - STE - PA USA - ENG 09-22 - 5

## Functional characteristic standard version

<b>Delivery flow</b>	2,6 to 224 USGPM
<b>Admissible delivery pressure*</b>	up to 870 psi continuous, 1160 psi peak at 2900 rpm
<b>Admissible suction pressure</b>	submerged in oil
<b>Kinematic viscosity</b>	60 to 2000 SSU <span style="float: right;">For different values contact SEIM</span>
<b>Admissible temperature</b>	32 to 212°F <span style="float: right;">For different values contact SEIM</span>
<b>Driving speed</b>	750 to 3600 rpm
<b>Average noise level</b>	58 - 68 dB(A) at 2900 rpm according to pump dimension
<b>Direction of rotation</b>	clockwise, as seen from the driving side

\* Reduced pressure limit apply due to fluid viscosity and driving speed.

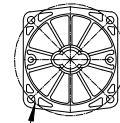
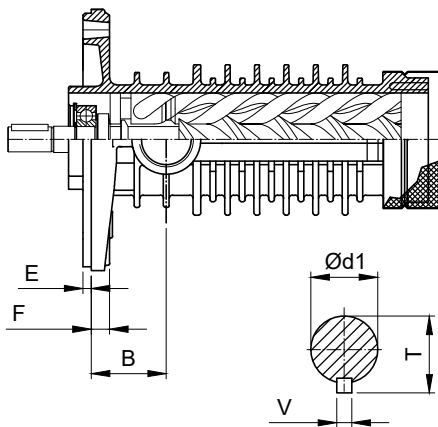
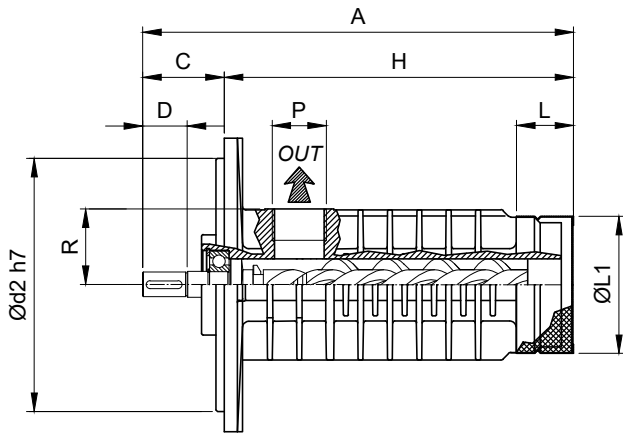
Consult performance charts for the individual pump size.

*For different functional characteristics, please contact our sales department.*

# Screw pumps - PA standard USA series

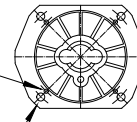


For hydraulic oils, lubricating oils.  
Admissible delivery pressure = 1160 psi at 2900 rpm.



4 holes  $\phi$  d4  
on  $\phi$  d3

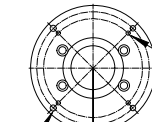
PA025#  
PA029#  
PA032#  
PAP040#



4 holes  $\phi$  d4  
on  $\phi$  d3

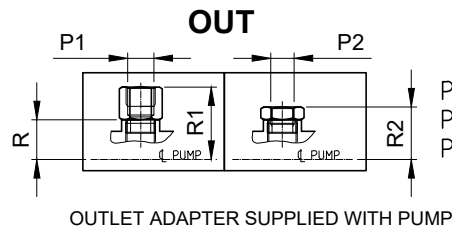
PAP045#  
PA055#  
PA060#

4 holes  $\phi$  d7 on  $\phi$  d6



4 holes  $\phi$  d7 on  $\phi$  d6

PA072#



PA025#  
PA029#  
PA032#

## Dimensional chart (inches)

MODEL	A	B	C	D	E	F	H	L	L1	P	R	P1	R1	P2	R2	T	V	d1	d2	d3	d4	d6	d7
PA025#6.FM	10.65	1.81	2.56	1.38	0.20	0.44	8.09	1.38	3.31	1" G	1.73	1" NPT	3.15	3/4" NPT	2.28	0.85	0.24	0.748	6.102	7.48	0.55	-	-
PA029#6.FM	10.65	1.81	2.56	1.38	0.20	0.44	8.09	1.38	3.31	1" G	1.73	1" NPT	3.15	3/4" NPT	2.28	0.85	0.24	0.748	6.102	7.48	0.55	-	-
PA032#4.FM	10.98	1.81	2.56	1.38	0.20	0.44	8.42	1.38	3.31	1" G	1.83	1" NPT	3.25	3/4" NPT	2.38	0.85	0.24	0.748	6.102	7.48	0.55	-	-
PAP040#4.UM	14.05	1.71	2.56	1.38	0.20	0.32	11.49	2.56	4.88	1 1/2" NPT	2.08	-	-	-	-	0.85	0.24	0.748	6.102	7.48	0.55	-	-
PAP045#4.UM	15.59	1.99	4.09	-	0.20	0.4	11.50	2.56	4.88	2" NPT	2.07	-	-	-	-	1.38	0.39	1.259	4.374	7.48	0.55	6.25	0.31
PA055#4.UM	17.45	2.52	4.25	-	0.20	0.51	13.20	1.97	6.34	2" NPT	2.44	-	-	-	-	1.38	0.39	1.259	4.374	7.13	0.31	6.25	0.31
PA060#4.UM	21.12	2.52	4.25	-	0.20	0.51	16.87	3.94	6.34	2" NPT	2.44	-	-	-	-	1.38	0.39	1.259	4.374	7.13	0.31	6.25	0.31
PA072#4.UM	23.05	3.68	4.23	-	0.20	0.75	18.82	5.12	7.56	2" G	2.83	-	-	-	-	1.38	0.39	1.259	4.374	8.11	0.45	7.13	0.31

Ask pumps drawing for all dimensional details.

SEIM srl  
Via A. Volta 17  
20047 Cusago (MI) ITALY  
Tel. (+39) 02.90.39.21.1  
Fax. (+39) 02.90.39.21.41  
e-mail: [seim@seim.it](mailto:seim@seim.it)

[www.seim.it](http://www.seim.it)

SEIM reserves the right to introduce dimensional changes or variation to the products of this technical data.