

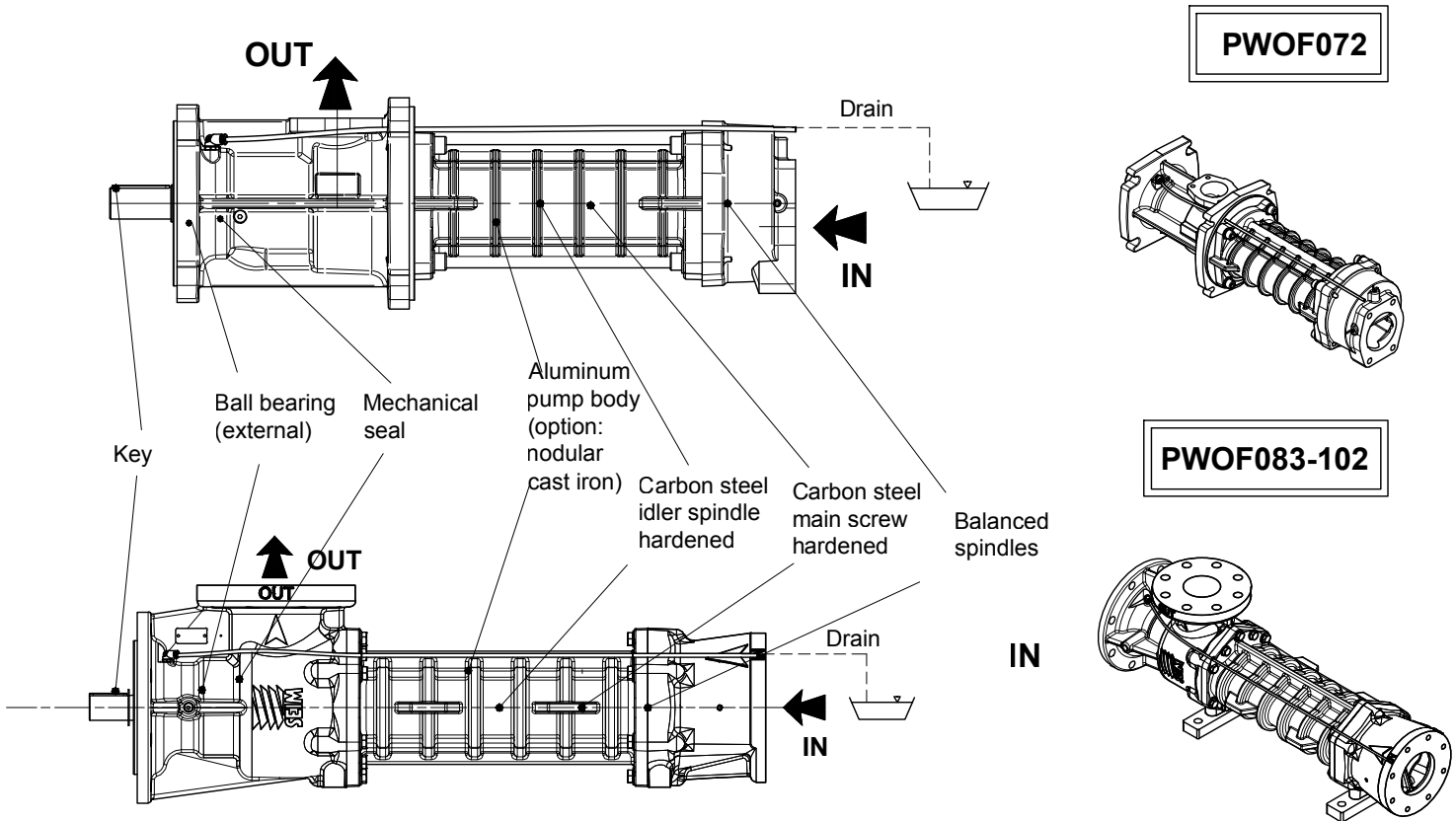
# Screw pumps PWOFF

For hydraulic oils, lubricating oils. (LFO;HFO if nodular cast iron case)  
 Admissible delivery pressure (continuous) = up to 100 bar (1450 psi).  
 (Admissible delivery pressure (continuous) with LFO,HFO contact SEIM)



## Main field of applications

General purpose high pressure.



## Functional characteristics standard version

<b>Delivery flow</b>	up to 1700 l/min (up to 450 USGPM)	
<b>Admissible delivery flow *</b>	up to 100 bar (1450 psi)	
<b>Admissible suction pressure</b>	-0,5 to 10 bar (-7,3 to 145 psi)	For different values contact SEIM
<b>Kinematic viscosity</b>	10 to 400 cSt	
<b>Admissible temperature</b>	0 to 100 °C (32 to 212 °F)	For different values contact SEIM
<b>Driving speed</b>	up to 1750 rpm (depending NPSH)	
<b>Average noise level</b>	60 - 75 dB(A) at 2900 rpm depending to pump size	
<b>Recommended filtration</b>	ISO 4406 19/16 - NAS 10	
<b>Direction of rotation</b>	clockwise, as seen from the driving side	

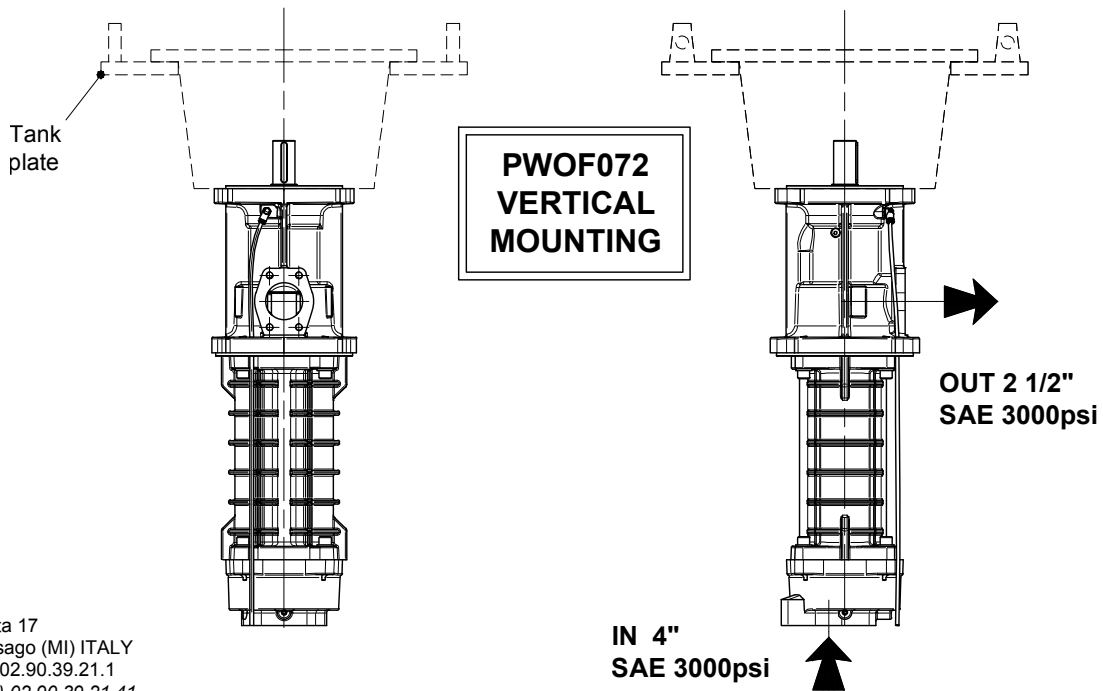
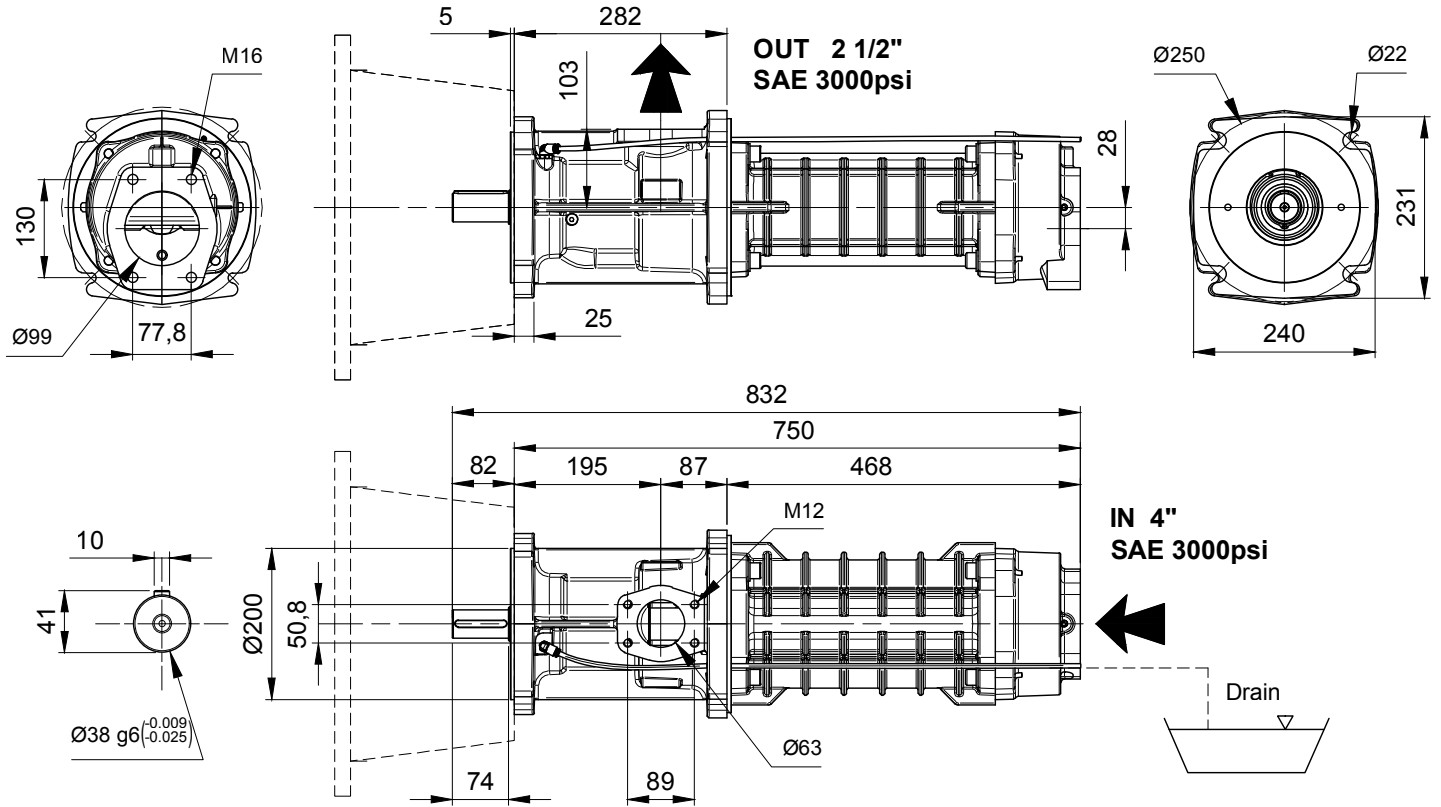
\* Reduced pressure limit apply due to fluid viscosity and driving speed.  
 Consult performance charts for the individual pump size.  
 For different functional characteristics, please contact our sales department.

# Screw pumps PWOFF

For hydraulic oils, lubricating oils. (LFO;HFO if nodular cast iron case)  
 Admissible delivery pressure (continuous) = up to 100 bar (1450 psi).  
 (Admissible delivery pressure (continuous) with LFO,HFO contact SEIM)



## PWOFF072 (HORIZONTAL MOUNTING)



SEIM srl  
 Via A. Volta 17  
 20090 Cusago (MI) ITALY  
 Tel. (+39) 02.90.39.21.1  
 Fax. (+39) 02.90.39.21.41  
 e-mail: seim@seim.it

SEIM reserves the right to introduce dimensional changes or variation to the products of this technical data.

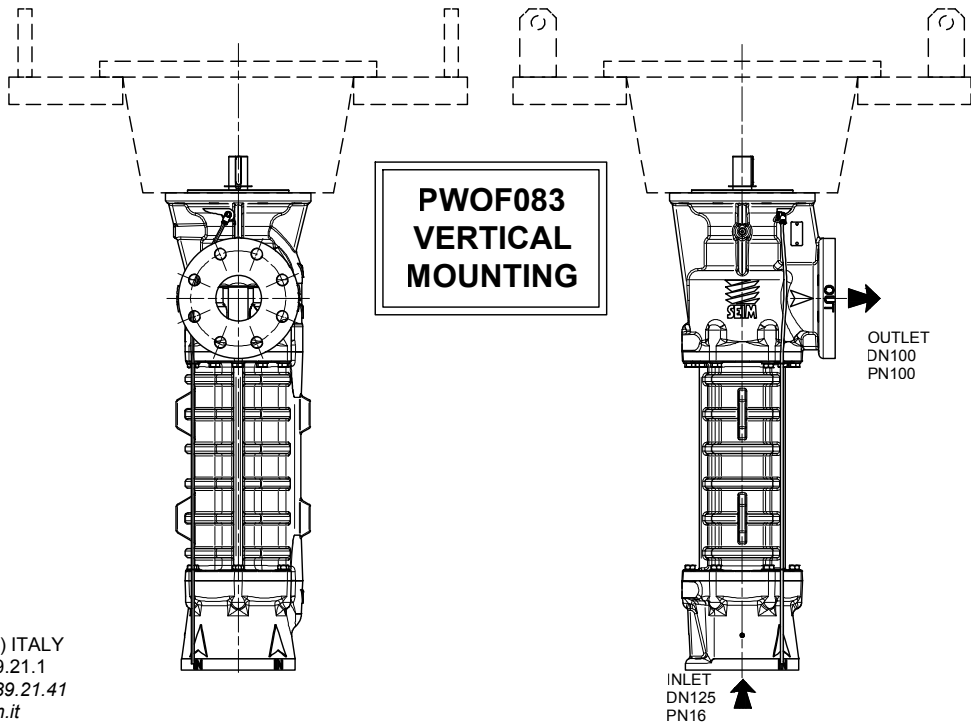
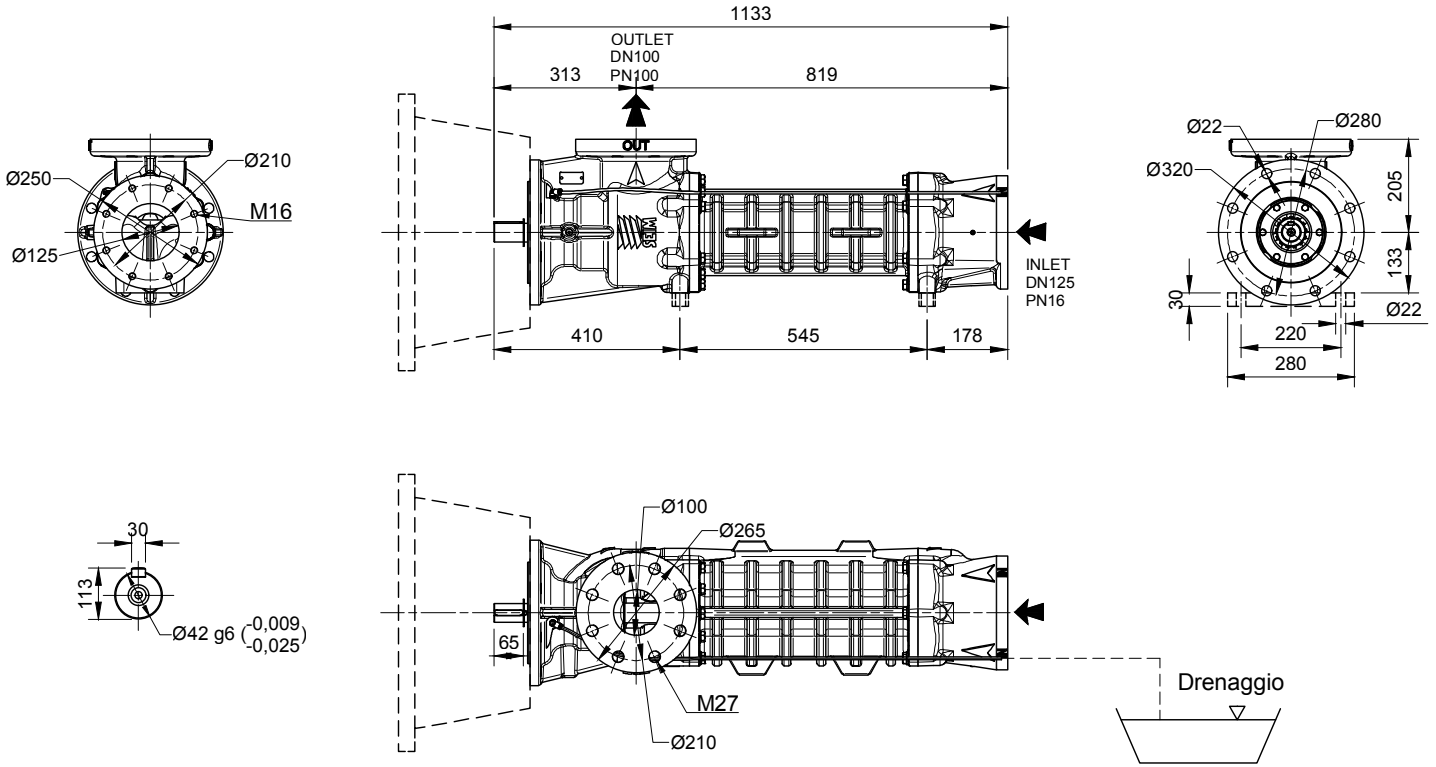
[www.seim.it](http://www.seim.it)

# Screw pumps PWOFF

For hydraulic oils, lubricating oils. (LFO;HFO if nodular cast iron case)  
 Admissible delivery pressure (continuous) = up to 100 bar (1450 psi).  
 (Admissible delivery pressure (continuous) with LFO,HFO contact SEIM)



## PWOF083 HORIZONTAL MOUNTING



SEIM srl  
 Via A. Volta 17  
 20090 Cusago (MI) ITALY  
 Tel. (+39) 02.90.39.21.1  
 Fax. (+39) 02.90.39.21.41  
 e-mail: seim@seim.it

SEIM reserves the right to introduce dimensional changes or variation to the products of this technical data.

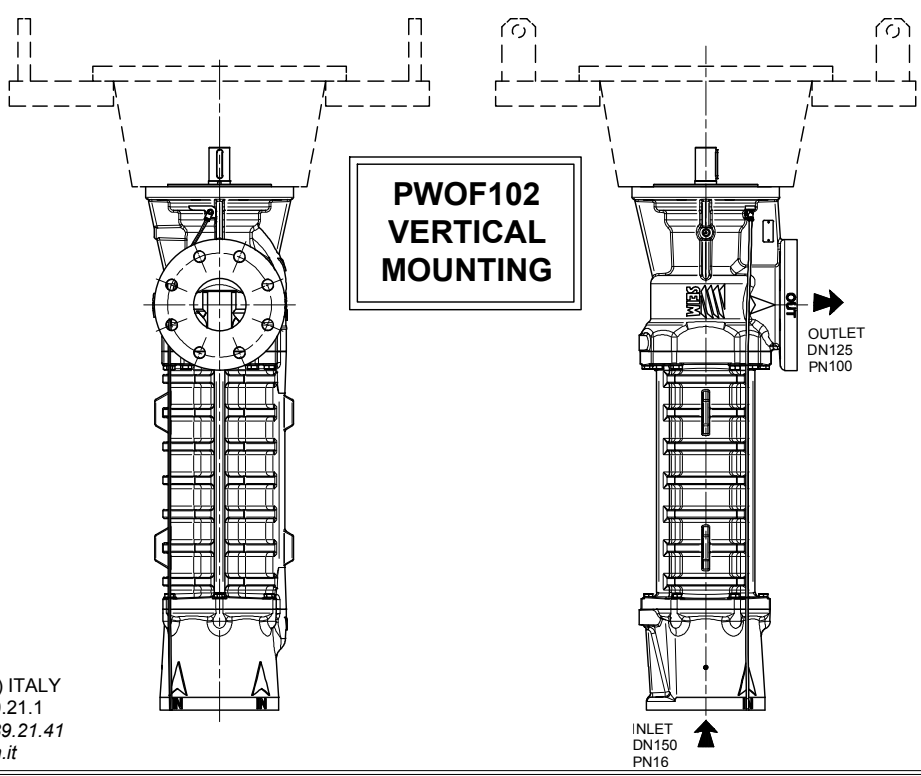
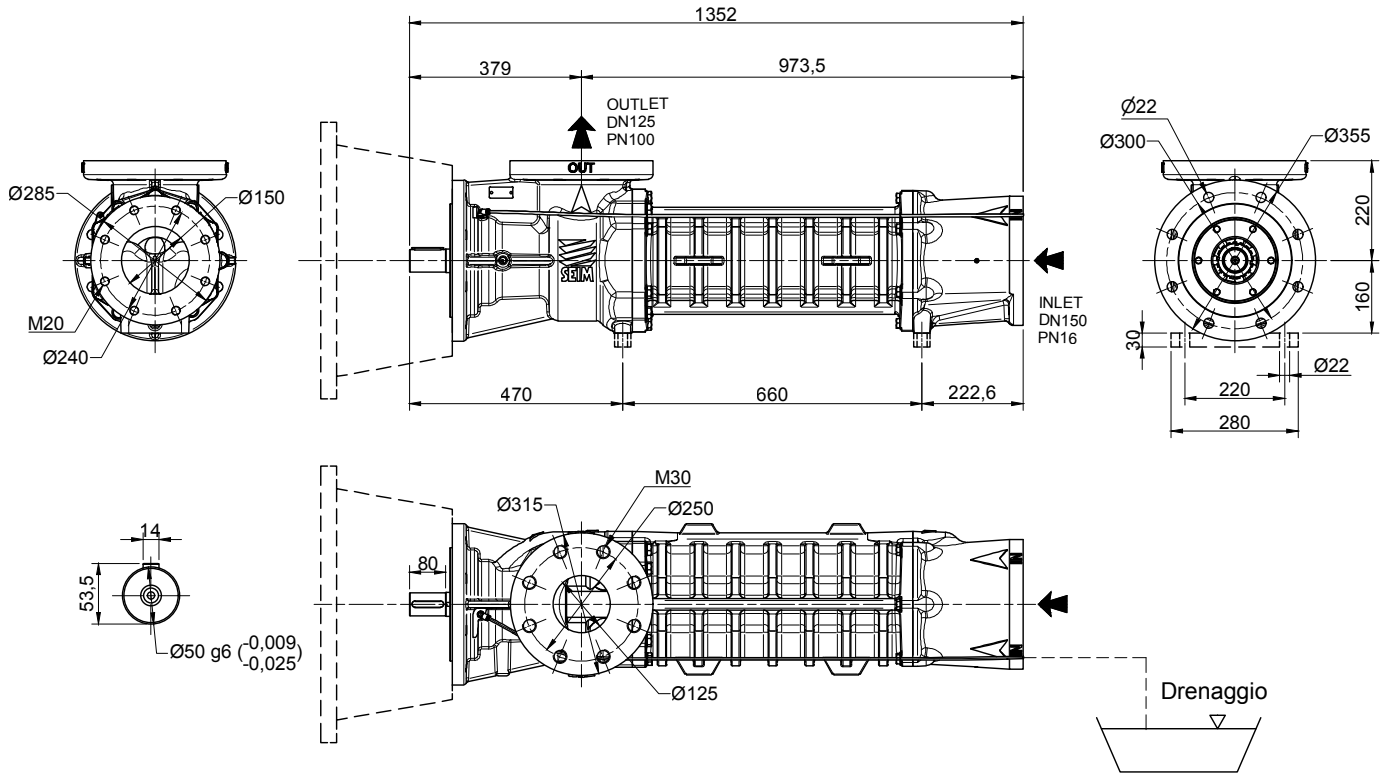
[www.seim.it](http://www.seim.it)

# Screw pumps PWOFF

For hydraulic oils, lubricating oils. (LFO;HFO if nodular cast iron case)  
 Admissible delivery pressure (continuous) = up to 100 bar (1450 psi).  
 (Admissible delivery pressure (continuous) with LFO,HFO contact SEIM)



## PWOFF102 HORIZONTAL MOUNTING



SEIM srl  
 Via A. Volta 17  
 20090 Cusago (MI) ITALY  
 Tel. (+39) 02.90.39.21.1  
 Fax. (+39) 02.90.39.21.41  
 e-mail: seim@seim.it

SEIM reserves the right to introduce dimensional changes or variation to the products of this technical data.

[www.seim.it](http://www.seim.it)